

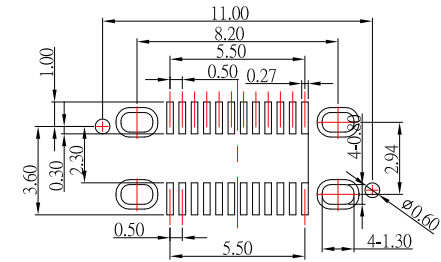
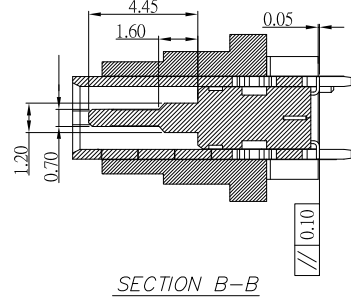
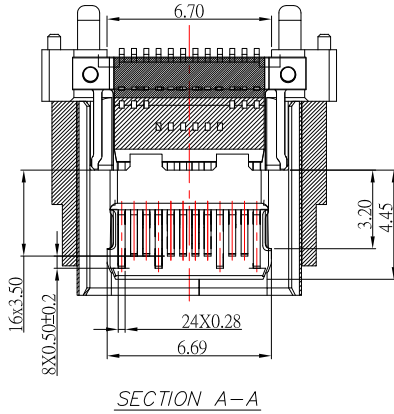
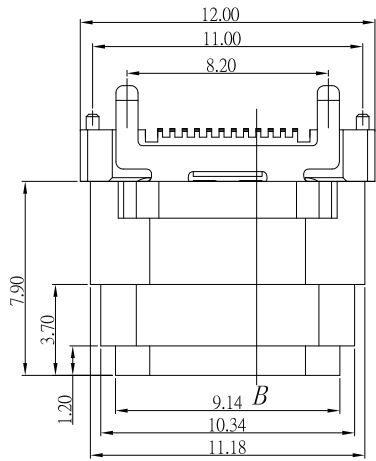
# SBC-WP240VS6-20x-S410

**IPX8**

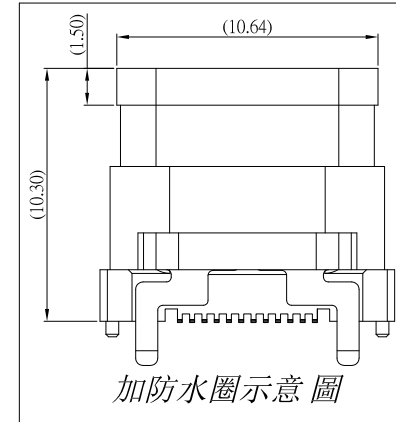
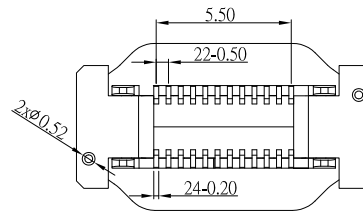
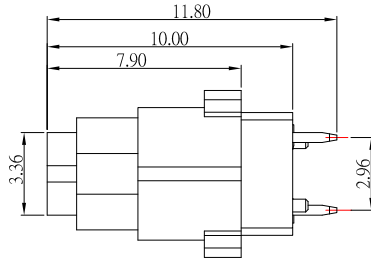
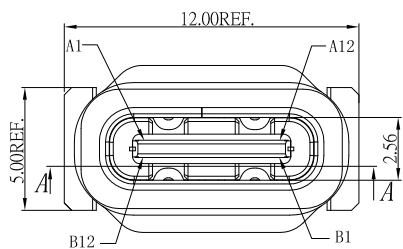


鍍層厚度:

- Blank : 1u"
- 2 : 15u"
- 3 : 30u"



RECOMMENDED PCB LAYOUT



加防水圈示意圖

**SPECIFICATIONS**

**Electrical:**

1. Rating: 5.0 A
2. Contact Resistance: 40 mΩ Max
3. Insulation Resistance: 100 MΩ Min

**Mechanical:**

1. Connector Mate and Unmate Force
  - 1.1 Mate force: 5~20 N
  - 1.2 Unmate force: 8~20 N

**Material:**

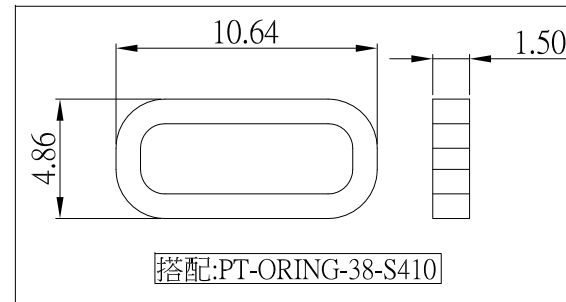
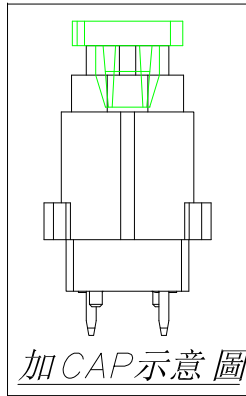
1. Housing: LCP
2. Contact: C7025
3. Shell: SUS

**Finish:**

1. Contact: Plated Gold in Mating Area ;  
Tin Plated on Solder Balls ;  
Nickel under plated overall
2. Shell: Nickel under Plated surface layer

USB TYPE-C FULL-FEATURED RECTANGLE INTERFACE PIN ASSIGNMENTS

PIN	Signal Name	Description	PIN	Signal Name	Description
A1	GND	Ground return	B12	GND	Ground return
A4	Vas	Bus Power	B9	Vas	Bus Power
A5	CC1	Configuration Channel	B8	SBU2	Sidband Use (SBU)
A6	Dp1	Positive half of the USB 2.0 differential pair-Position 1	B7	Dm2	Negative half of the USB 2.0 differential pair-Position 2
A7	Dn1	Negative half of the USB 2.0 differential pair-Position 1	B6	Dp2	Positive half of the USB 2.0 differential pair-Position 2
A8	SBU1	Sidband Use (SBU)	B5	CC2	Configuration Channel
A9	Vas	Bus Power	B4	Vas	Bus Power
A12	GND	Ground return	B1	GND	Ground return



**CONTACT** 建倚科技股份有限公司  
CONTACT TECHNOLOGY CORP.

TOLERANCE UNLESS OTHERWISE STATED:  
Up to 5 ±0.2  
Above 5 ~ 15 ±0.3  
Above 15 ~ 30 ±0.4  
Above 30 ~ 50 ±0.5

3RD. ANGEL'S



UNITS MM

DRAWN BY:	DATE	MAT'L	TITLE	CONNECTOR
Jack Lu	08/31/23		MODLE	USB C TYPE 180度 SMT 2.0 Female H10.0防水型
CHECKED BY:	DATE	FINISH	DWG NO.	SBC-WP240VS6-20x-S410
Jacky Chen	08/31/23	SCALE 1 : 1	PART NO.	SBC-WP240VS6-20x-S410
APPROVED BY:	DATE	SHEET NO.	1 of 2	
Tony Kao	08/31/23			

ITEM NO.	DESCRIPTION	DRAWN	DATE